

Flow cell for continuous conductivity measurements in water

Flow cell QV-Flow UP-CON-SL HT

Flow cell for sensor with SWAN slot-lock adapter, e.g. Swansensor UP-Con1000-SL; with integrated needle valve for sample flow adjustment and digital sample flow meter for extended temperature range.

Technical data

Flow cell made of stainless steel SS316L.

Insert for sensor with patented SWAN slot-lock adapter for quick sensor release.

Sample conditions

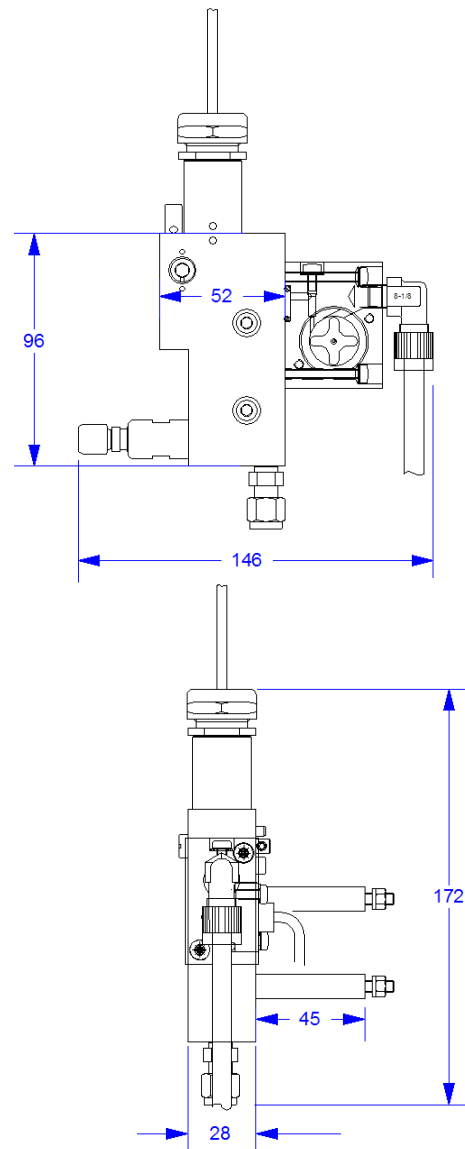
- Temperature: up to +90 °C
- Inlet pressure: max. 2 bar at +60 °C
- Outlet pressure: ambient pressure
- Flow: 3 to 25 L/h

Process connections

- Inlet: 1/4" Swagelok tube adapter (SS)
- Outlet: 6 mm Serto tube adapter (PVDF)

Electrical connection

- Flow sensor: fixed cable with end sleeves (length 1m or 15m)
- Suitable transmitters: AMI Powercon
AMU Powercon



Delivery: Flow cell with mounting parts (M5 screws and distance sleeves) for panel mounting.

Order scheme	Flow cell QV-Flow UP-CON-SL; 1m	A-83.434.171
	Flow cell QV-Flow UP-CON-SL; 15m	A-83.434.177