

Flow cell for wastewater applications with pH, redox/ORP and ion selective sensors. Sensor cleaning available as option.

Flow cell M-Flow 10-3PG

Flow cell made of PVC and acrylic glass with three PG 13.5 sensor screw connections. Suitable for Ø 12 mm sensors like pH, redox/ORP, ammonium, nitrate, reference and temperature.

Removable transparent vessel allows easy sensor calibration and maintenance.

Optional cleaning nozzle for sensor water spray cleaning.

Technical data

Connections

- Sample: G ¼" thread
- Cleaning water: G ¼" thread

Equipped with elbow hose nozzle for 10mm tube.

Sample conditions

(for the flow cell without sensors!)

- Flow rate: 4 to 15 l/h
- Temperature: up to 50 °C
- Inlet pressure: up to 1 bar @ 25 °C
- Pressure-free outlet (atmospheric drain)
- Cleaning water pressure: approx. 3-4 bar
- Particle size: below 0.5 mm
- No strong acids and bases
- No organic solvents

Dimensions

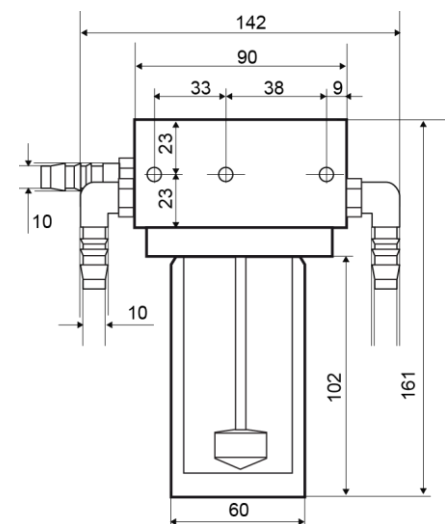
- Width: 90 ... 142 mm
- Front-to-back: 138 mm
- Height: 161 mm
- Panel mounting: 3 screws M5

Suitable sensors

- Swansensor pH Standard or - AY
or
ORP/Redox versions alternatively
- Swansensor Ammonium or Nitrate
- Swansensor Temperature (Pt1000, Nt5k
or RefTemp)

Delivery includes:

Flow cell M-Flow 10-3PG with two blind plugs PG 13.5, blind plug at cleaning water inlet, and two 90° elbow hose nozzle ¼" for 10mm tube at sample in- and outlet. Set of mounting screws.



M-Flow 10-3PG with sensor cleaning option

Order Nr.	M-Flow 10-3PG	A-83.416.330
Option:	<input type="checkbox"/> Spray nozzle for sensor cleaning	A-83.491.120
Accessory	<input type="checkbox"/> Mounting panel for flow cell made of white PVC. Dimensions (w x h x d): 280 x 200 x 10 mm	A-89.410.110
	<input type="checkbox"/> Swansensor deltaT Flow	A-87.933.010