

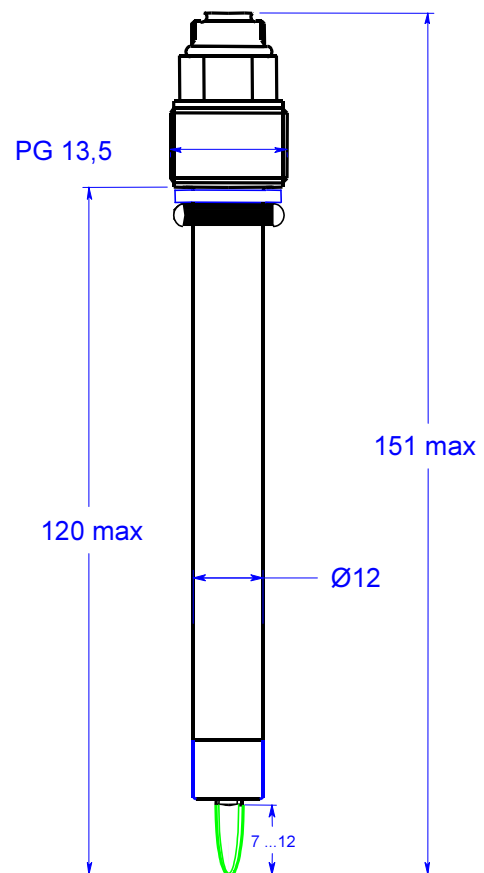
pH sensor for the measurement of pH in high purity water

## Swansensor pH FL

Only in combination with Swansensor Reference FL, A-87.860.100.

### Technical data:

Operative and measuring range:	1 - 12 pH
Reference electrode:	Reference FL
Operating temperature:	0 .... 50 °C
Pressure:	pressure-free
Min. conductivity:	0.055 µS/cm
Flow speed:	5 to 10 l/h
Case material:	PETP/POM
Connection:	plug PG 13,5
Weight:	40 g
Protection degree:	IP 68



SWAN Analytical Instruments AG warrants this SWANSENSOR to be free from all defects for one year from the date of purchase.

<b>Order number</b>	<b>Swansensor pH FL</b>	<b>A-87.150.200</b>
	<b>Swansensor Reference FL</b>	<b>A-87.860.100</b>